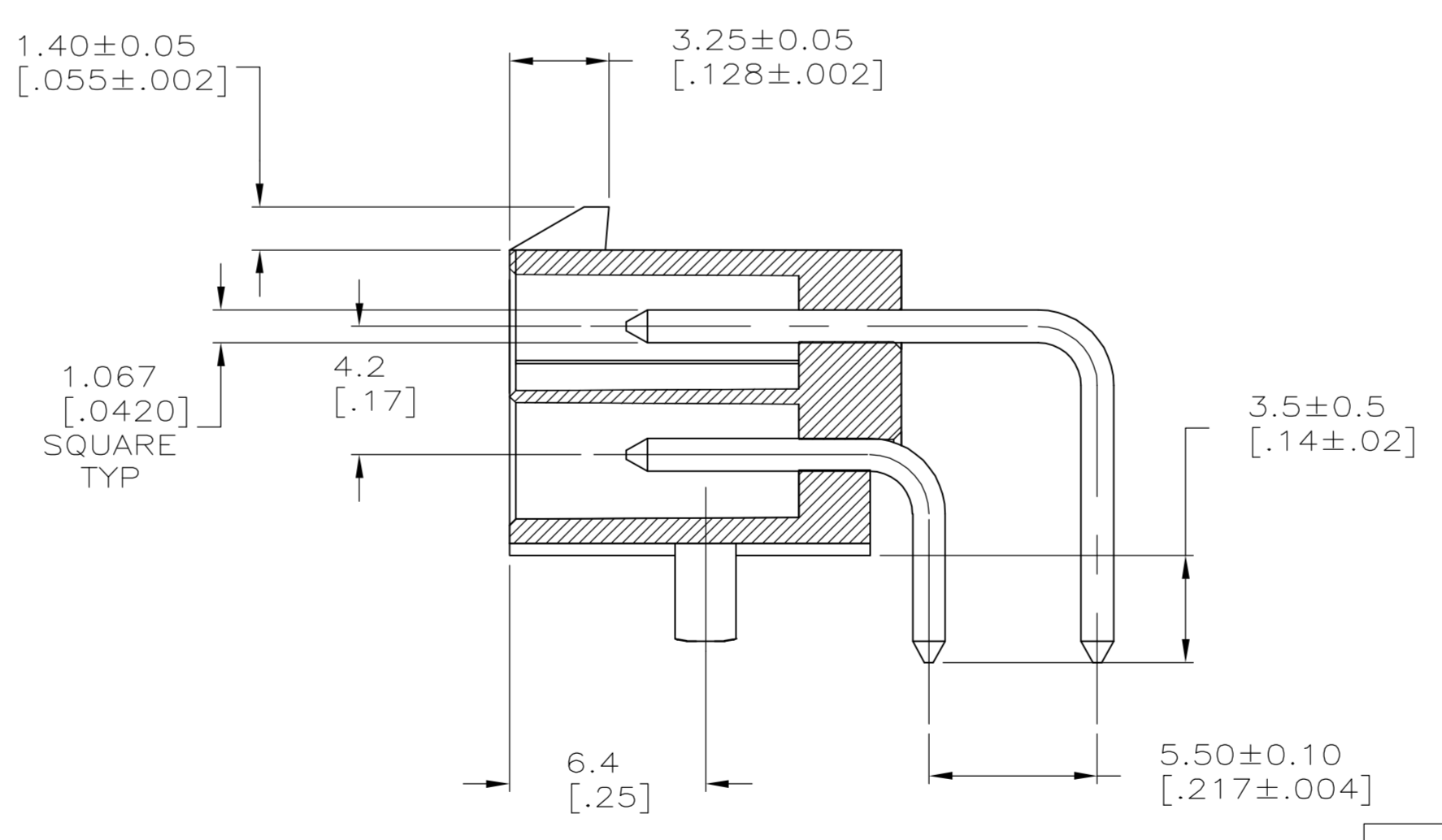
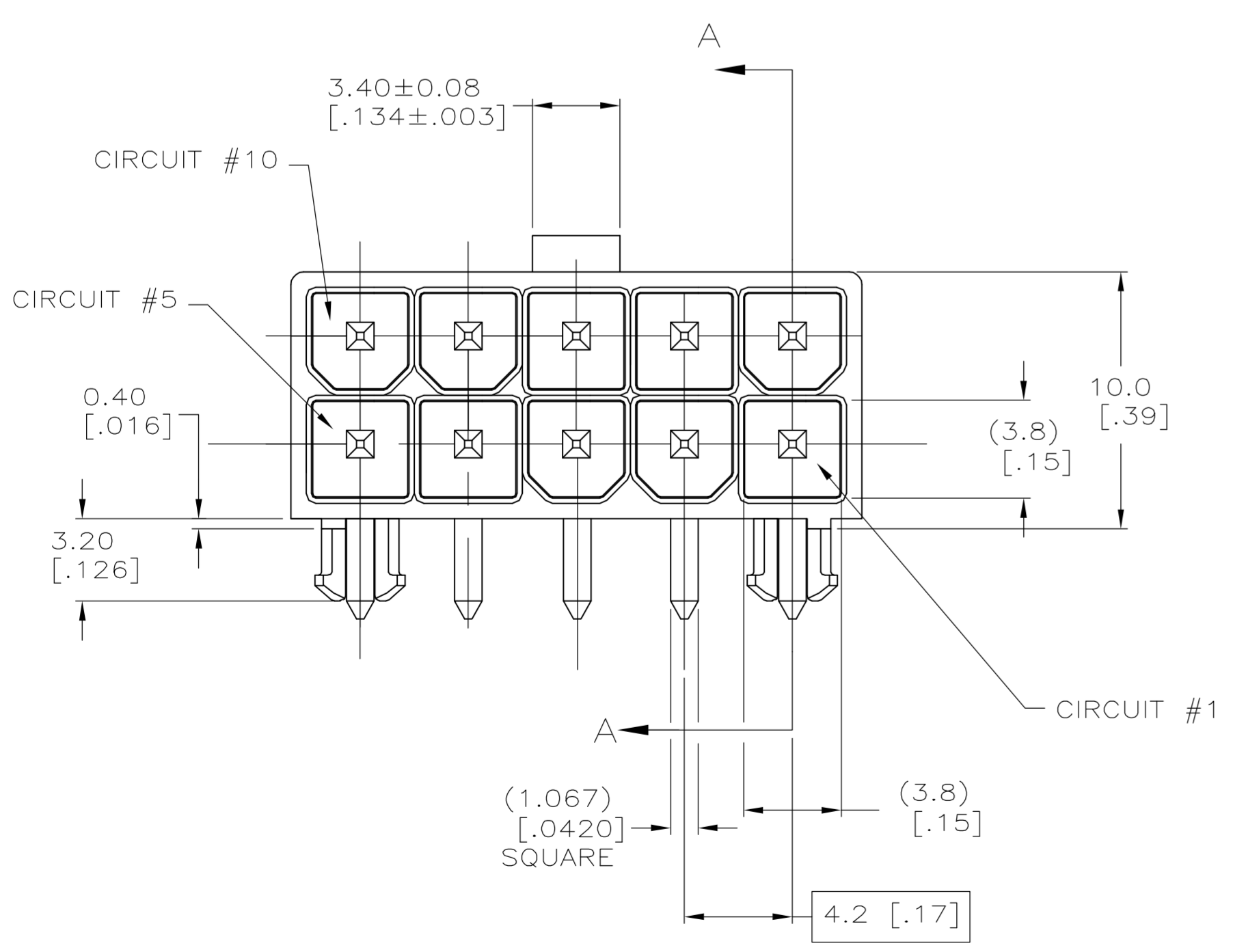
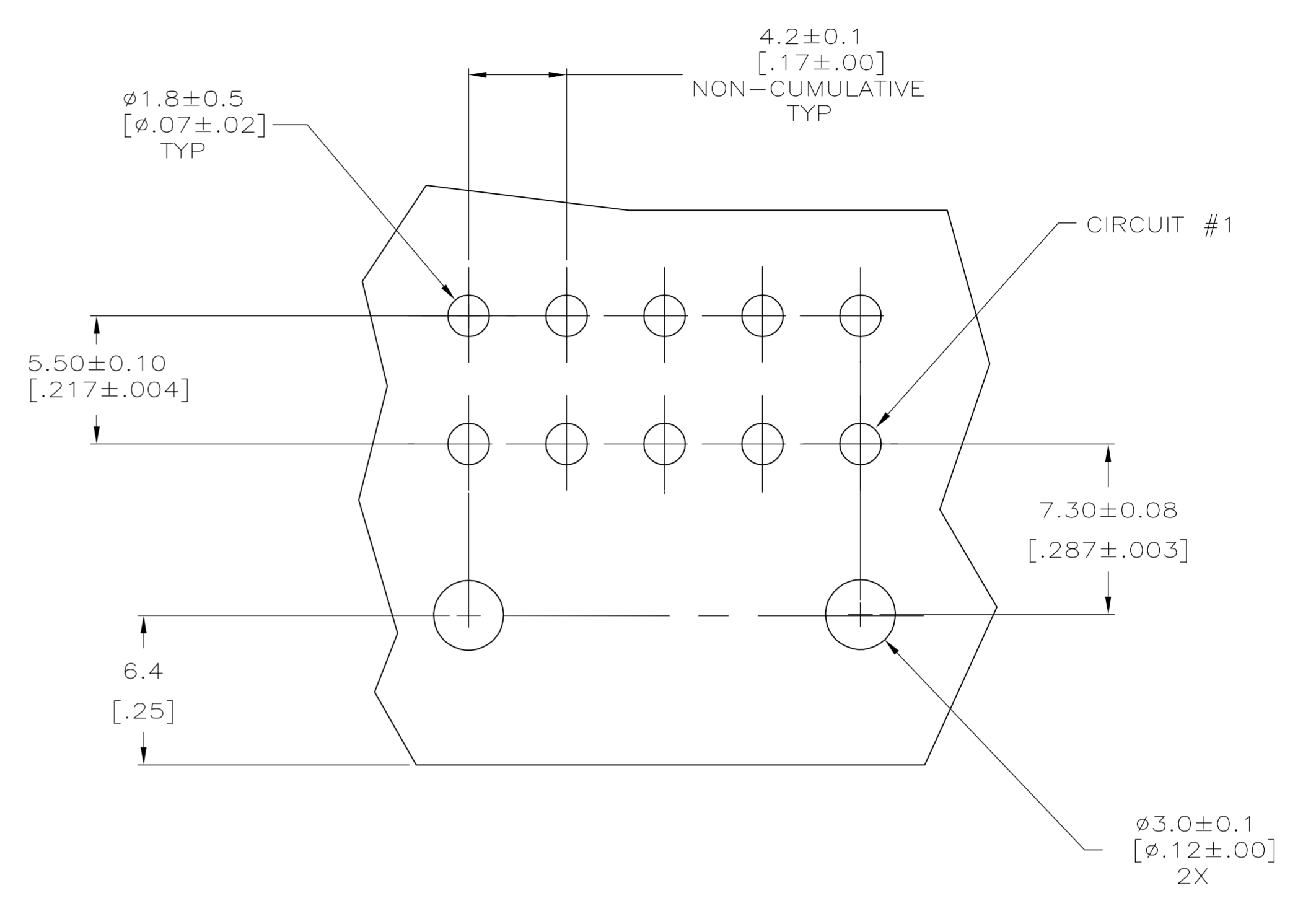
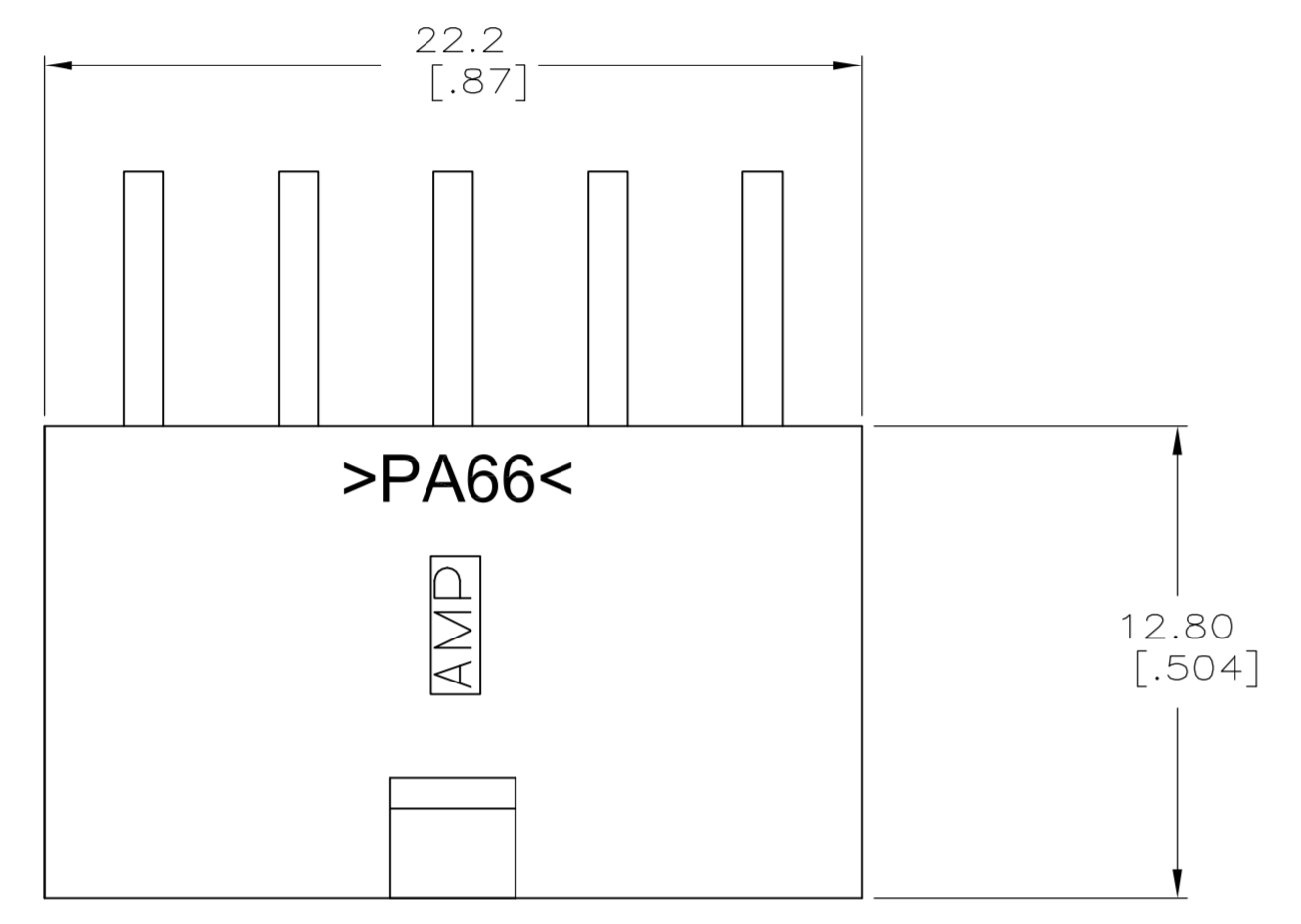


LOC		DIST		REVISIONS			
P	LTR	DESCRIPTION	DATE	DWN	APVD		
D		REVISED PER ECO-06-014735	10NOV06	KW	DC		

- 1 MATERIAL: HOUSING - NYLON, UL94V-2 (COLOR - NATURAL).
PIN - 1.067mm² [.0017in²] COPPER ALLOY.
- 2 PINS TO COMPLY WITH SOLDERABILITY SPEC 109-11-3.
- 3 0.00381 [.000150] MINIMUM TIN LEAD OVER 0.00127 [.000050] MINIMUM NICKEL, ENTIRE LENGTH OF PIN.
- 4 NOTE DELETED.
- 5 0.00381 [.000150] MINIMUM TIN OVER 0.00127 [.000050] MINIMUM NICKEL, ENTIRE LENGTH OF PIN.



SUPERSEDED BY 1-794510-1

1	5	1	1	1-794510-1
1	3	1	1	794510-1
MATERIAL	FINISH	MATERIAL	COLOR	
PIN		HOUSING		ASSEMBLY

METRIC

THIS DRAWING IS A CONTROLLED DOCUMENT.

DIMENSIONS:	mm [INCHES]	TOLERANCES UNLESS OTHERWISE SPECIFIED:	0 PLC ± .02 [.01]	1 PLC ± .013 [.005]	2 PLC ± .013 [.005]	3 PLC ± .013 [.005]	4 PLC ± .013 [.005]	ANGLES: ± 30°
MATERIAL	SEE CHART	FINISH	SEE CHART	WEIGHT	A1	00779	©=794510	RESTRICTED TO
CUSTOMER DRAWING			SCALE	5:1	SHEET	1	OF	1
			REV	D				

DWN S. HOOVER 02-MAR-2005
 DSK D. COLEY 02-MAR-2005
 APVD D. COLEY 02-MAR-2005
 NAME Tyco Electronics Corporation Harrisburg, Pa 17105-3608
 PRODUCT SPEC 108-1646
 APPLICATION SPEC 114-6067
 SIZE CASE CODE DRAWING NO 00779 ©=794510
 Tyco Electronics Corporation
 ASSEMBLY, HEADER, RIGHT ANGLE, 10 POSITION, W/PEGS, 94V-2, AMP-DUAC™ POWER CONNECTOR